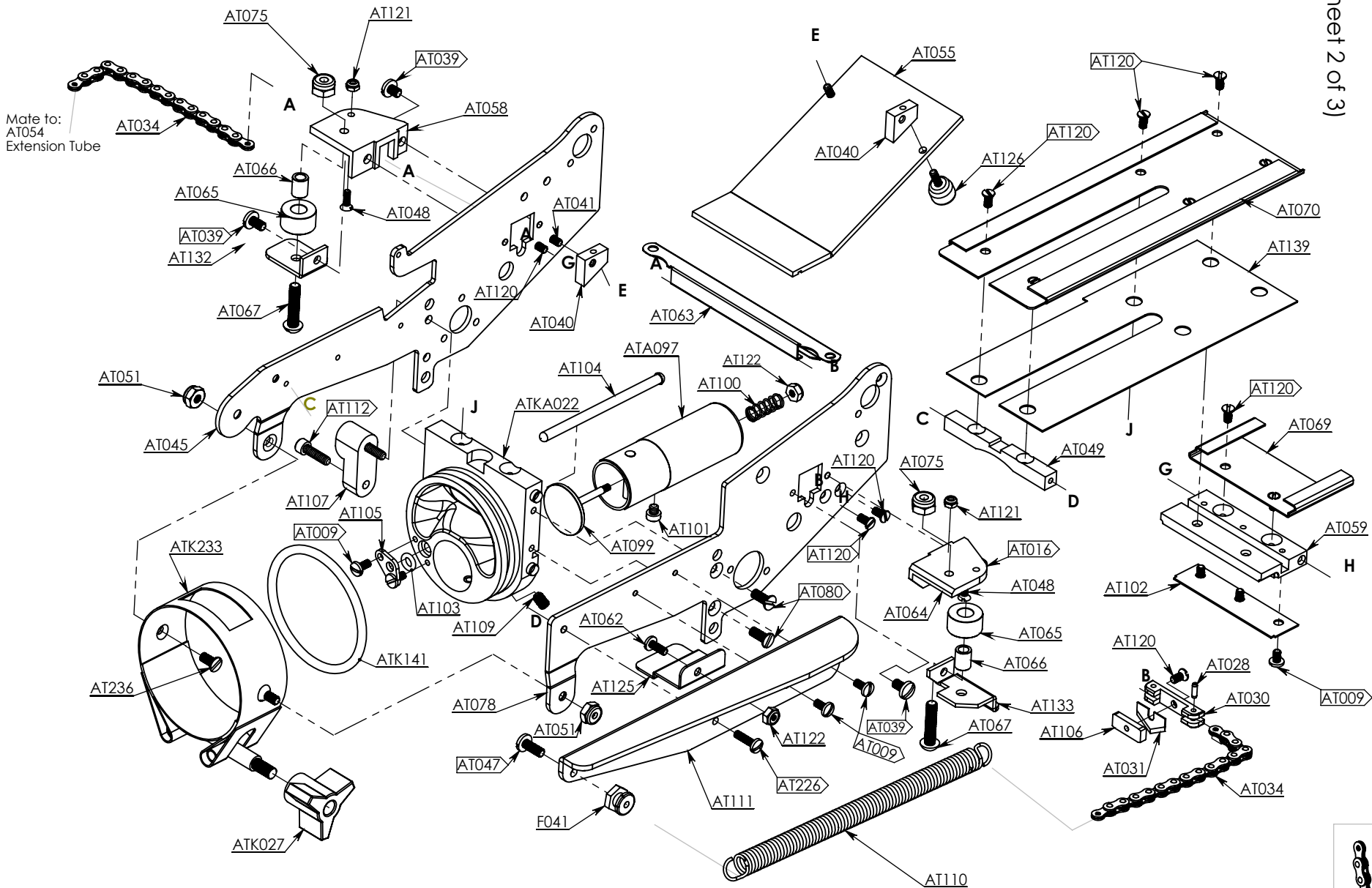


All flanged part numbers receive Loctite 243 (Blue)



All flanged part numbers
receive Loctite 243 (Blue)

Effective and Revised Feb 2021

